

100V
PASSIVE
ACTIVE

20 W Impedance selector
20 – 10 / 5 / 2,5 W – 8 ohms



PB-720 W

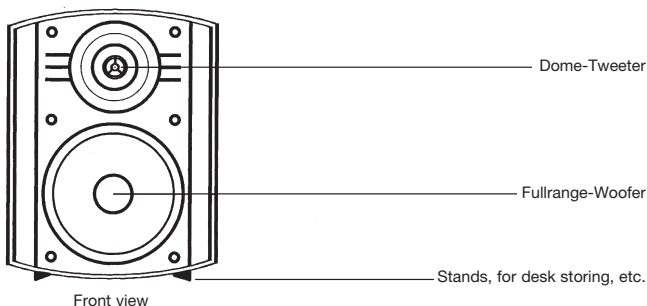
PB-720 S

Description

These professional cabinet speakers, series PB-720 and PB-730 are perfect for sophisticated PA systems. Excellent speech and music reproduction are achieved. These speakers have a 2-way-system, a full range woofer and a dome tweeter which are fitted into a professionally created case ensuring perfect acoustics.

- The trapeze form allows mounting in various angles and corners. Little feet on the case bottom make it possible to place the speaker on a table, etc.

Figure shows PB-720 and PB-730



Technical data	PB-720 S / PB-720 W
Load rating (Music power)	20 W (50 W)
Transformer tapplings at 100V	20 – 10 / 5 / 2,5 W
Frequency range	170 – 20.000 Hz
Sound pressure at 1W/1m	90 dB
Sound pressure SPL Pmax/1m	103 dB @8kHz
Angle of refl. beam (-6dB) 1/4/8 kHz	150°/ 105°/ 100°
Speaker ø (mm) and impedance (ohms)	100 mm, Tweeter-Ø 52 mm/ 8 ohms
Dimensions HxWxD (mm)	195 x 130 x 105 mm (without bracket)
Weight (kg) colour	approx. 1,5 kg, S – black, W – white

Pro-Sound Speaker, 20 W black **PB-720 S**
with 100V matching transformer (20–10–5–2,5 W) and 8 ohms

Pro-Sound Speaker, 20 W white **PB-720 W**
with 100V matching transformer (20–10–5–2,5 W) and 8 ohms



30 W Impedance selector
30 – 15 – 10 – 5 W – 8 ohms

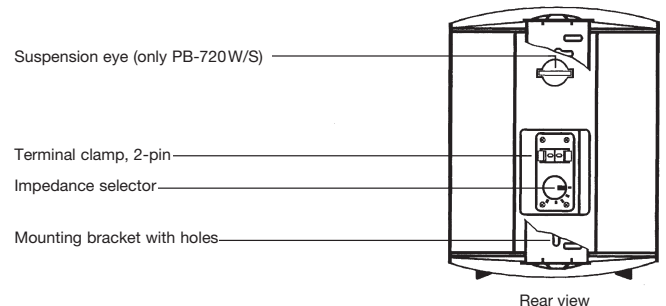


PB-730 W

PB-730 S

- The model PB-720 S/W has an additional swivel bracket and a pull out eyebolt.
- There is a hidden impedance selector on the back panel with 4 x 100V and an 1 x 8 ohms position. A built-in high quality 100V matching transformer, ensures full quality of sound pressure and playback.
- The speakers can be mounted horizontally or vertically. The grille can be taken off.

Figure shows PB-720 and PB-730



Technical data	PB-730 S / PB-730 W
Load rating (Music power)	30 W (80 W)
Transformer tapplings at 100V	30 – 15 – 10 – 5 W
Frequency range	120 – 20.000 Hz
Sound pressure at 1W/1m	90 dB
Sound pressure SPL Pmax/1m	105 dB @4,5kHz
Angle of refl. beam (-6dB) 1/4/8 kHz	130°/ 70°/ 100°
Speaker ø (mm) / impedance (ohms)	130 mm, Tweeter-Ø 52 mm/ 8 ohms
Dimensions HxWxD (mm)	240 x 181 x 140 mm (without bracket)
Weight (kg) colour	approx. 2,5 kg, S – black, W – white

Pro-Sound Speaker, 30 W black **PB-730 S**
with 100V matching transformer (30 – 15 – 10 – 5 W) and 8 ohms

Pro-Sound Speaker, 30 W white **PB-730 W**
with 100V matching transformer (30 – 15 – 10 – 5 W) and 8 ohms