



soundSation

PAR-9-18W-IP65

9*18W RGBWA+UV 6IN1 LED WATERPROOF PAR LIGHT



USER MANUAL

Please read this manual carefully and proper take care of this manual



Dear customer,

First of all thanks for purchasing a SOUNDSATION® product. Our mission is to satisfy all possible needs of musical instrument and professional audio and lighting users offering a wide range of products using the latest technologies.

We hope you will be satisfied with this item and, if you want to collaborate, we are looking for a feedback from you about the operation of the product and possible improvements to introduce in the next future. Go to our website www.soundsationmusic.com and send an e-mail with your opinion, this will help us to build instruments ever closer to customer's real requirements.

One last thing: read this manual before using the instrument, an incorrect operation can cause damages to you and to the unit. Take care!

The SOUNDSATION Team

IMPORTANT SAFETY SYMBOLS



The symbol is used to indicate that some hazardous live terminals are involved within this apparatus, even under the normal operating conditions, which may be sufficient to constitute the risk of electric shock or death.



The symbol is used in the service documentation to indicate that specific component shall be replaced only by the component specified in that documentation for safety reasons.



Protective grounding terminal



Alternating current/voltage



Hazardous live terminal

ON

Denotes the apparatus is turned on

OFF

Denotes the apparatus is turned off

WARNING: Describes precautions that should be observed to prevent the danger of injury or death to the operator.

CAUTION: Describes precautions that should be observed to prevent danger of the apparatus.

IMPORTANT SAFETY INSTRUCTIONS

- ▶ Read these instructions
- ▶ Keep these instructions
- ▶ Heed all warning
- ▶ Follow all instructions

WATER AND MOISTURE

The apparatus should be protected from moisture and rain and can not be used near water; for example near a bathtub, a kitchen sink, a swimming pool, etc.

HEAT

The apparatus should be located away from heat sources such as radiators, stoves or other appliances that produce heat.

VENTILATION

Do not block areas of ventilation opening. Failure to do could result in fire. Always install according to the manufacturer's instructions.

OBJECT AND LIQUID ENTRY

Objects do not fall into and liquids are not spilled into the inside of the apparatus for safety.

POWER CORD AND PLUG

Protect the power cord from being walked on or pinched particularly at plugs, convenience receptacles, and the point where they exit from the apparatus. Do not defeat the safety purpose of the polarized or grounding-type plug. A polarized plug has two poles; a grounding-type plug has two poles and a third grounding terminal. The third prong is provided for your safety. If the provided plug does not fit into your outlet, refer to an electrician for replacement.

POWER SUPPLY

The apparatus should be connected to the power supply only of the type as marked on the apparatus or described in the manual. Failure to do could result in damage to the product and possibly the user. Unplug this apparatus during lightning storms or when unused for long periods of time.

FUSE

To prevent the risk of fire and damaging the unit, please use only of the recommended fuse type as described in the manual. Before replacing the fuse, make sure the unit turned off and disconnected from the AC outlet.

ELECTRICAL CONNECTION

Improper electrical wiring may invalidate the product warranty.

CLEANING

Clean only with a dry cloth. Do not use any solvents such as benzol or alcohol.

SERVICING

Do not implement any servicing other than those means described in the manual. Refer all servicing to qualified service personnel only. Only use accessories/attachments or parts recommended by the manufacturer.


 **WARNING: Please remember the high sound pressure do not only temporarily damage your sense of hearing, but can also cause permanent damage. Be careful to select a suitable volume.**

TABLE OF CONTENTS

1. PRODUCT SPECIFICATION.....	6
1.1. Lumen (@ 1 meter).....	6
2. LED DISPLAY	6
3. CHANNEL MODE INSTRUCTION	8
3.1. 6CH Mode	8
3.2. 2CH Mode	8
3.3. 3CH1 Mode	8
3.4. 3CH2 Mode	9
3.5. 4CH Mode	9
3.6. 5CH Mode	9
3.7. 9CH Mode	9
4. WARRANTY AND SERVICE.....	10
5. WARNING	10

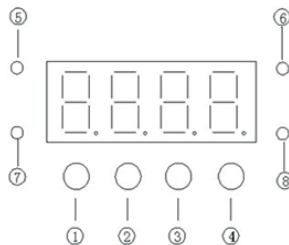
I. PRODUCT SPECIFICATION

- ▶ Light source: 9pcs 18W RGBWA+UV 6in1 LEDs
- ▶ Built-in master-slave, sound control, jump mode, fade mode and Auto mode.
- ▶ Built-in various strobe function
- ▶ Static LED dimmer and color selectable internally and through DMX512
- ▶ LED display, easy to control
- ▶ Suitable for outdoor venues like disco, club, bar, party and DJ moving show
- ▶ DMX Channel Modes: 2CH, 3CH1, 3CH2, 4CH, 5CH, 6CH, 9CH
- ▶ Voltage: AC100-240V 50/60Hz
- ▶ Power Consumption: 180W
- ▶ Product Size (WxHxD): 27 x 23.5 x 22 cm
- ▶ Weight: 3.5 kg

I.I. Lumen (@ 1 meter)

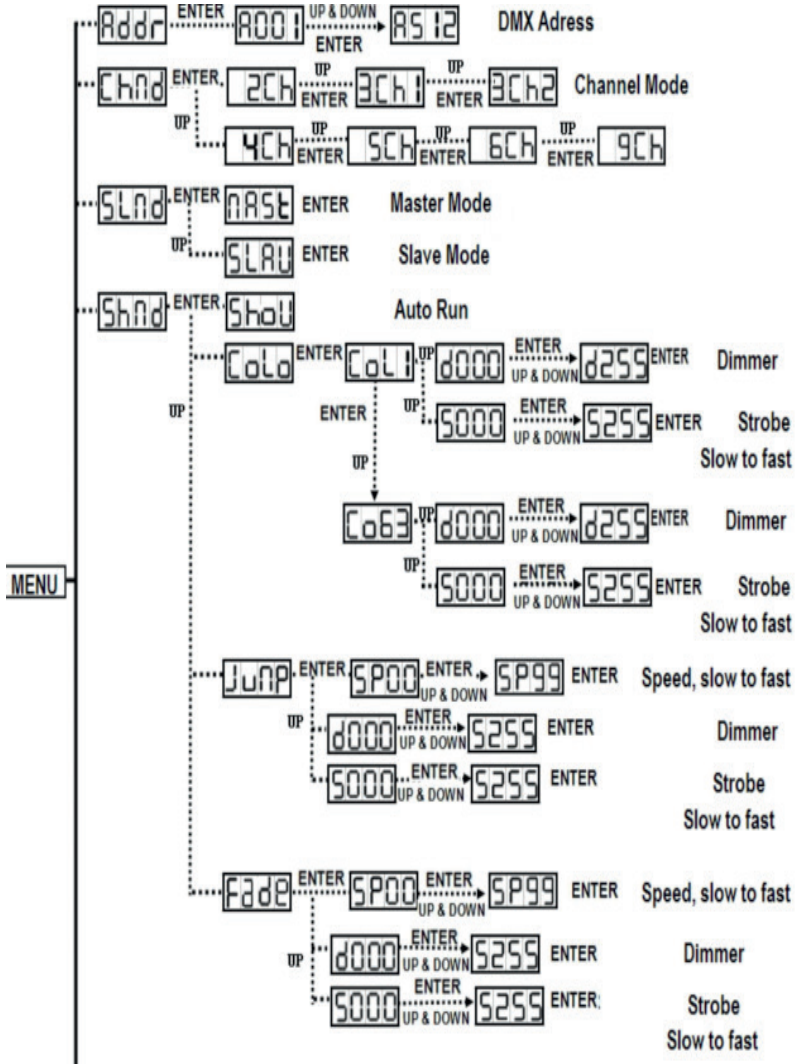
R	1300Lux
G	2100Lux
B	2200Lux
W	3200Lux
A	1100Lux
UV	1000Lux
Full bright	8300Lux

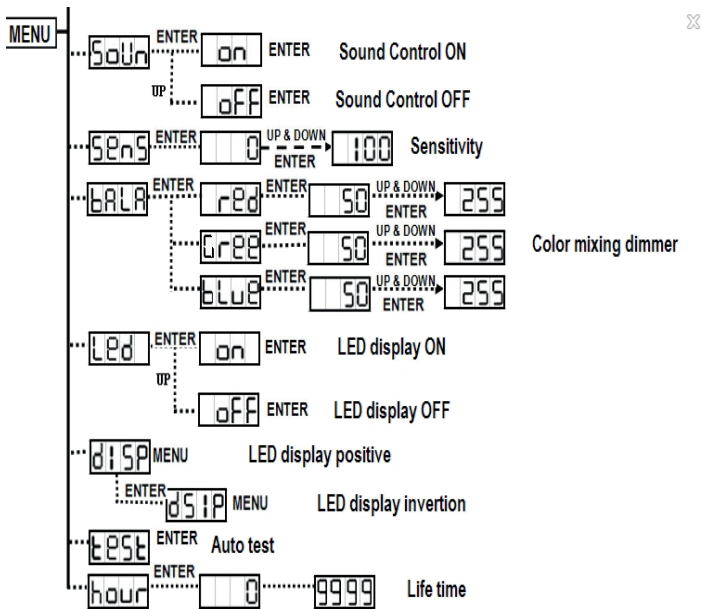
2. LED DISPLAY



Item	N.	Display	Function
Button:	(1)	MENU	Enter the menu
	(2)	DOWN	Next the menu
	(3)	UP	Previous menu
	(4)	ENTER	Enter the select function

Led:	(5)	DMX	Shows DMX activity
	(6)	SLAVE	Slave mode in on
	(7)	MASTER	Master Mode is on
	(8)	SOUND	Sound mode is on





3. CHANNEL MODE INSTRUCTION

3.1. 6CH Mode

Channel	Value	Function
CH1	000-255	Red Dimmer, 0-100%
CH2	000-255	Green Dimmer, 0-100%
CH3	000-255	Blue Dimmer, 0-100%
CH4	000-255	White Dimmer, 0-100%
CH5	000-255	Amber Dimmer, 0-100%
CH6	000-255	UV Dimmer, 0-100%

3.2. 2CH Mode

Channel	Value	Function
1	000-255	Full Dimmer,0-100%
2	000-255	LED color select

3.3. 3CH Mode

Channel	Value	Function
CH1	000-255	Red Dimmer, 0-100%

CH2	000-255	Green Dimmer, 0-100%
CH3	000-255	Blue Dimmer, 0-100%

3.4. 3CH2 Mode

Channel	Value	Function
CH1	000-255	LED Dimmer 0-100%
CH2	000-255	Strobe, slow to fast
CH3	000-004	No function
	005-255	Fading and effect mode

3.5. 4CH Mode

Channel	Value	Function
CH1	000-255	Red Dimmer, 0-100%
CH2	000-255	Green Dimmer, 0-100%
CH3	000-255	Blue Dimmer, 0-100%
CH4	000-255	White Dimmer, 0-100%

3.6. 5CH Mode

Channel	Value	Function
CH1	000-255	Red Dimmer, 0-100%
CH2	000-255	Green Dimmer, 0-100%
CH3	000-255	Blue Dimmer, 0-100%
CH4	000-255	White Dimmer, 0-100%
CH5	000-255	Amber Dimmer, 0-100%

3.7. 9CH Mode

Channel	Value	Function
CH1	000-255	Dimmer, 0-100%
CH2	000-255	Strobe, Slow to fast
CH3	000-255	Red Dimmer, 0-100%
CH4	000-255	Green Dimmer, 0-100%
CH5	000-255	Blue Dimmer, 0-100%
CH6	000-255	White Dimmer, 0-100%
CH7	000-255	Amber Dimmer, 0-100%
CH8	000-255	UV Dimmer, 0-100%
CH9	000-004	No change
	005-255	Fading and effect mode

4. WARRANTY AND SERVICE

All SOUNDSATION products feature a limited two-year warranty. This two-year warranty is specific to the date of purchase as shown on your purchase receipt.

The following cases/components are not covered from the above warranty:

- Any accessories supplied with the product
- Improper use
- Fault due to wear and tear
- Any modification of the product effected by the user or a third party

SOUNDSATION shall satisfy the warranty obligations by remedying any material or manufacturing faults free of charge at SOUNDSATION's discretion either by repair or by exchanging individual parts or the entire appliance. Any defective parts removed from a product during the course of a warranty claim shall become the property of SOUNDSATION.

While under warranty period, defective products may be returned to your local SOUNDSATION dealer together with original proof of purchase. To avoid any damages in transit, please use the original packaging if available. Alternatively you can send the product to SOUNDSATION SERVICE CENTER – Via Enzo Ferrari , 10 – 62017 Porto Recanati - Italy . In order to send a product to service center you need an RMA number. Shipping charges have to be covered by the owner of the product.

For further information please visit www.soundsationmusic.com

5. WARNING

PLEASE READ CAREFULLY – EU and EEA (Norway, Iceland and Liechtenstein) only



This symbol indicates that this product is not to be disposed of with your household waste, according to the WEEE Directive (2202/96/EC) and your national law.

This product should be handed over to a designated collection point, e.g., on an authorized one-for-one basis when you buy a new similar product or to an authorized collection site for recycling waste electrical and electronic equipment (WEEE).

Improper handling of this type of waste could have a possible negative impact on the environment and human health due to potentially hazardous substances that are generally associated with EEE. At the same time, your cooperation in the correct disposal of this product will contribute to the effective usage of natural resources.

For more information about where you can drop off your waste equipment for recycling, please contact your local city office, waste authority, approved WEEE scheme or your household waste disposal service.



MADE IN CHINA

This product is imported in EU by
Questo prodotto viene importato nella UE da
FREEXPORT SPA – Via Enzo Ferrari, 10 - 62017 Porto Recanati - Italy

WWW.SOUNDSATIONMUSIC.COM

Soundsation® is a registered trademark of FREEXPORT SPA - Italy
Soundsation® è un marchio di fabbrica registrato della FREEXPORT SPA - Italy



WWW.SOUNDSATIONMUSIC.COM